

Prepable Titanium Abutments

Prepable Titanium Abutments are available in various angulations, heights and range of anatomical shapes for all positions and match perfectly the Esthetic Healing Abutments and Esthetic Tissue Formers and the natural profile developed during healing and provisionalization. Esthetic abutment designs minimise the need for further adjustments and allow an easy, fast and esthetic restoration.

Neoss Implant Abutment Connection - NeoLoc® enables alternative emergence profiles to fulfil specific clinical needs related to emergence profiles such as limited spaces or wide constructions.



Features & benefits

Intended use – Cement-retained single and multi-unit restorations.

Material – Commercially Pure Titanium Grade 4.

Packaging – Non-sterile; includes abutment, laboratory screw and abutment screw (except item 31317, see page 2).

Esthetiline Solution – Prepable Titanium Abutments 31280 - 31288 are part of the Esthetiline solution. The shapes match the profile of the Esthetic Healing Abutments and Esthetic Tissue Formers and an optimal result is achieved by choosing the Prepable Abutment that matches the profile placed at surgery.

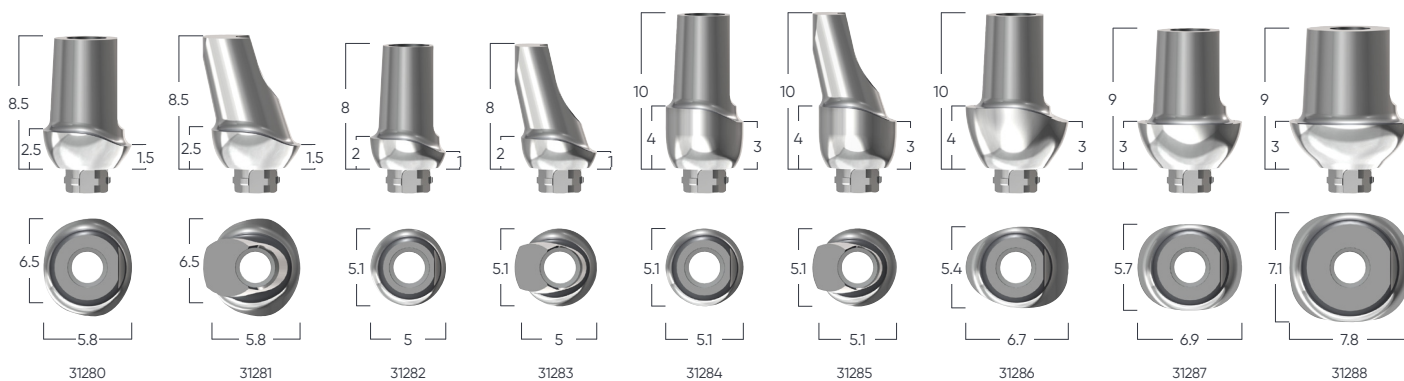
Abutment modification – the abutments may be modified chairside, intra- or extra- orally, or by the technician on a laboratory model using Titanium Abutment Preparation Kit, tungsten carbide or diamond burs.

Indexing – It is recommended that the implant is indexed prior to placing the non-rotational abutment to ensure optimal placement and minimal preparation.

Procedure – The abutment is screwed into the implant and the restoration is placed over the prepared/modified abutment. For more information please refer to the Neoss Implant System Guidelines.

Assortment

Art. No.	Description
31280	Prepable Ti Abutment 1.5mm 0° - Wide Incisor
31281	Prepable Ti Abutment 1.5mm 15° - Wide Incisor
31282	Prepable Ti Abutment 1mm 0° - Narrow Incisor
31283	Prepable Ti Abutment 1mm 15° - Narrow Incisor
31284	Prepable Ti Abutment 3mm 0° - Narrow Incisor
31285	Prepable Ti Abutment 3mm 15° - Narrow Incisor
31286	Prepable Ti Abutment 3mm 0° - Canine
31287	Prepable Ti Abutment 3mm 0° - Pre-molar
31288	Prepable Ti Abutment 3mm 0° - Molar
90136	Titanium Abutment Preparation Kit
<i>Alternative emergence profiles</i>	
31317	Prepable Ti Abutment 2 mm 0° - Wide Emergence
31318	Prepable Ti Abutment 1.5 mm 0° - Narrow Emergence
31319	Prepable Ti Abutment 1.5 mm 15° - Narrow Emergence



Prepable Titanium Abutments – alternative emergence profiles

Wide Emergence Abutment

The Wide Emergence Abutment utilizes the outer chamfer of the implant flange for seating, enabling a lower and wider emergence profile than the Molar abutment.

Intended use and material – same as other Prepable abutments.

Packaging – sterile; includes abutment, laboratory screw, abutment screw, specific cover screw and specific healing abutment PEEK with screw. The cover screw and the healing abutment with screw are packed so they can be opened separately from abutment and laboratory screw.

Compatibility – compatible with ProActive Tapered & ProActive Straight (lot # equal or higher than 14646) Implant diameters Ø5.0–5.5 mm and ProActive Ø6.0 implants. Article 31317 requires a specific healing abutment and specific cover screw for healing. A wide replica (article 31166, Protection Replica – 1 pc) is required for model making and laboratory preparation.

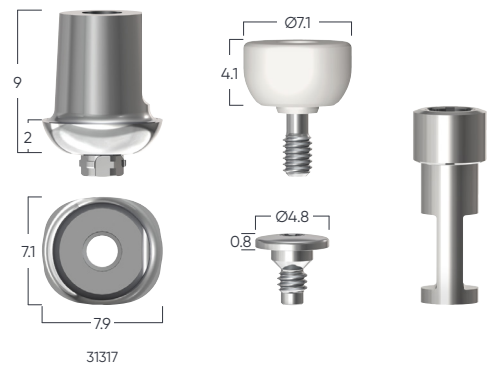
Note: Use of Wide Emergence abutment should be planned for and parts available for surgical placement for effective treatment.



Seating diameter

Assortment

Art. No.	Description
31317	Prepable Ti Abutment 2 mm 0° - Wide Emergence
31166	Protection Replica – 1 pc



Narrow Emergence Abutment

Narrow Emergence Abutments enable creation of an emergence profile where the abutment seating is narrower than the implant flange diameter, commonly referred to as platform switching.

Intended use – Narrow Emergence Abutments are intended to be used with the Ø3.5 & Ø4.0 mm implants when only limited mesio-distal space is available.

Material – Commercially Pure Titanium Grade 4.

Packaging – Non-sterile; includes abutment, laboratory screw and abutment screw.



Seating diameter

Assortment

Art. No.	Description
31318	Prepable Ti Abutment 1.5 mm 0° - Narrow Emergence
31319	Prepable Ti Abutment 1.5 mm 15° - Narrow Emergence

